

Programmes After Market Services NPM-5 Series Transceivers

Service Tools

[This page intentionally left blank]

Table of Contents

| | Page No |
|--|---------|
| Test Jig MJS-19 | 5 |
| Product Code: | 5 |
| Test Jig MJS-64 | 6 |
| Product Code: | 6 |
| Soldering Jig MJS-66..... | 8 |
| Product Code: | 8 |
| Service Battery BBS-8..... | 9 |
| Product Code: | 9 |
| POS Flash Adapter FLP-2..... | 10 |
| Product Code: | 10 |
| RF Adapter GAC-3 | 11 |
| Product Code: | 11 |
| Flash Loading Adapter FLA-7 (Sales Pack) | 12 |
| Product Code | 12 |
| Flash Prommer FPS-4S (Sales Pack) | 13 |
| Product Code | 13 |
| Security Box TDF-4 | 14 |
| Product Code | 14 |
| Service Audio Box JBA-4A..... | 15 |
| Product Code | 15 |
| Service Cable SCH-5..... | 16 |
| Product Code | 16 |
| Service Cable XMS-3 | 17 |
| Product Code | 17 |
| Audio Cable ADS-1 | 18 |
| Product Code | 18 |
| D9-D9 Cable AXS-4 | 19 |
| Product Code | 19 |
| D15-D15 Cable AXS-5..... | 20 |
| Product Code | 20 |
| DC Cable PCC-1B..... | 21 |
| Product Code | 21 |
| DC Cable SCB-3 | 22 |
| Product Code | 22 |
| Power Cable PCS-1 | 23 |
| Product Code | 23 |
| POS Flash Adapter FLS-2D (Sales Pack)..... | 24 |
| Sale package code | 24 |
| POS Flash Adapter FLS-4 (Sales Pack)..... | 25 |
| Sale package code | 25 |
| XMS-3 Service Cable | 26 |
| Product Code | 26 |
| MBUS Cable DAU-9S | 27 |
| Product Code | 27 |
| SW Security Device PKD-1 | 28 |
| Product Code | 28 |
| Modular T-adapter | 29 |

Product Code29

List of figures

| | Page No |
|---|----------------|
| Fig 1 MJS-19, Front View | 5 |
| Fig 2 MJS-19, Rear View | 5 |
| Fig 3 MJS-64 and DAJ-2 1/2 | 6 |
| Fig 4 MJS-64, MJS-19 and DAJ-2 2/2 | 7 |
| Fig 5 MJS-66 | 8 |
| Fig 6 BBS-8 | 9 |
| Fig 7 How to insert and remove BBS-8..... | 9 |
| Fig 8 FLP-2..... | 10 |
| Fig 9 GAC-3, two views | 11 |
| Fig 10 GAC-3 inserted | 11 |
| Fig 11 FLA-7 | 12 |
| Fig 12 FPS-4S | 13 |
| Fig 13 TDF-4 | 14 |
| Fig 14 JBA-4A..... | 15 |
| Fig 15 SCH-5 | 16 |
| Fig 16 XMS-3 | 17 |
| Fig 17 ADS-1 | 18 |
| Fig 18 AXS-4..... | 19 |
| Fig 19 AXS-5..... | 20 |
| Fig 20 PCC-1B..... | 21 |
| Fig 21 SCB-3 | 22 |
| Fig 22 PCS-1..... | 23 |
| Fig 23 FLS-2D | 24 |
| Fig 24 FLS-4..... | 25 |
| Fig 25 XMS-3 | 26 |
| Fig 26 DAU-9S..... | 27 |
| Fig 27 PKD-1..... | 28 |
| Fig 28 Modular T-adapter..... | 29 |

Test Jig MJS-19

Test Jig MJS-19 is used for component level troubleshooting and repairs of the CMT module.

Product Code:

Test Jig MJS-19:

0630260

Figure 1: MJS-19, Front View

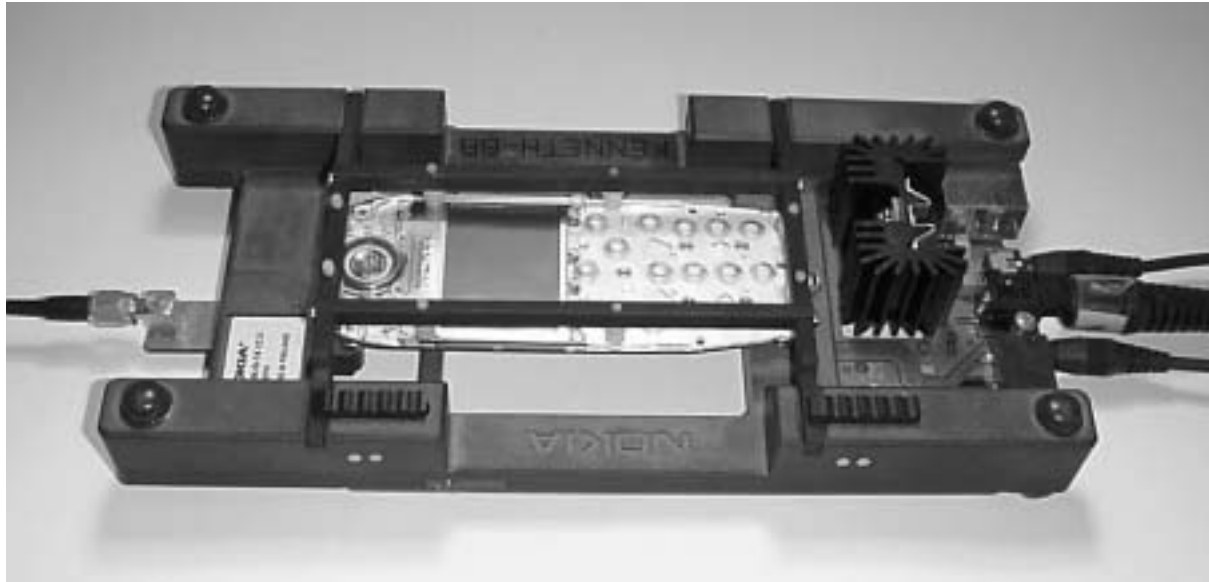
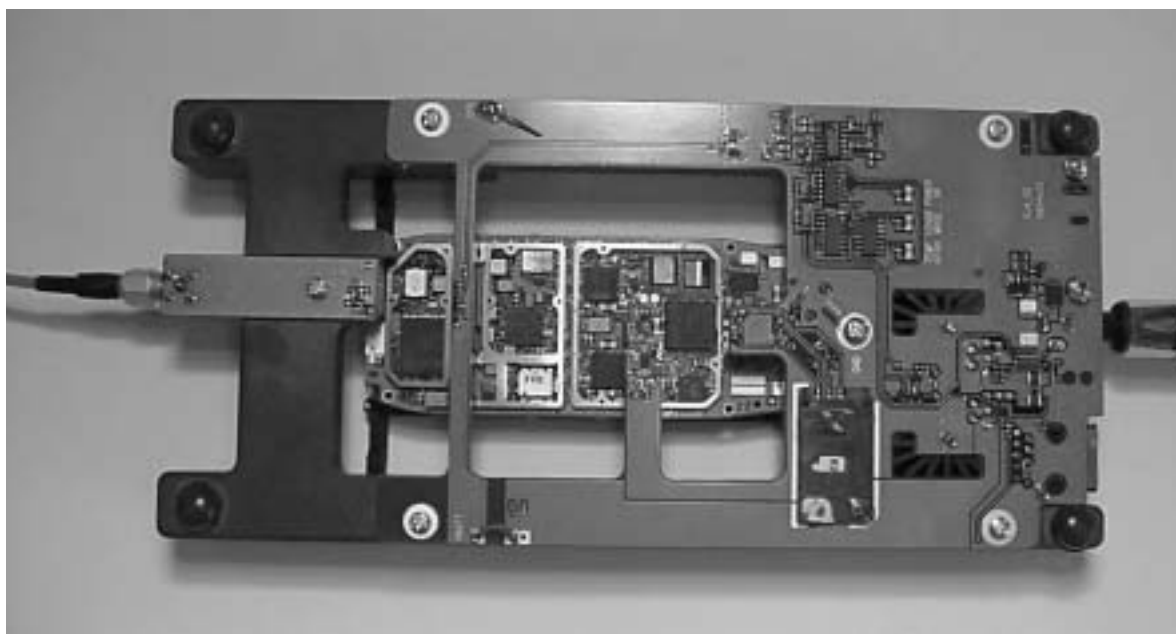


Figure 2: MJS-19, Rear View



Test Jig MJS-64

Test Jig MJS-64 is used for component level troubleshooting and repairs of the complete phone. MJS-64 comprises DAJ-2 adapter

MJS-19 is also a sub-assembly of this jig.

Product Code:

| Sales Package | Type Designation of parts | NMP Code |
|--------------------|---------------------------|----------|
| Test Jig | MJS-64 | 0770382 |
| Adapter | DAJ-2 | 0770402 |
| Adapter spare part | AD2 | 0201865 |

Figure 3: MJS-64 and DAJ-2 1/2

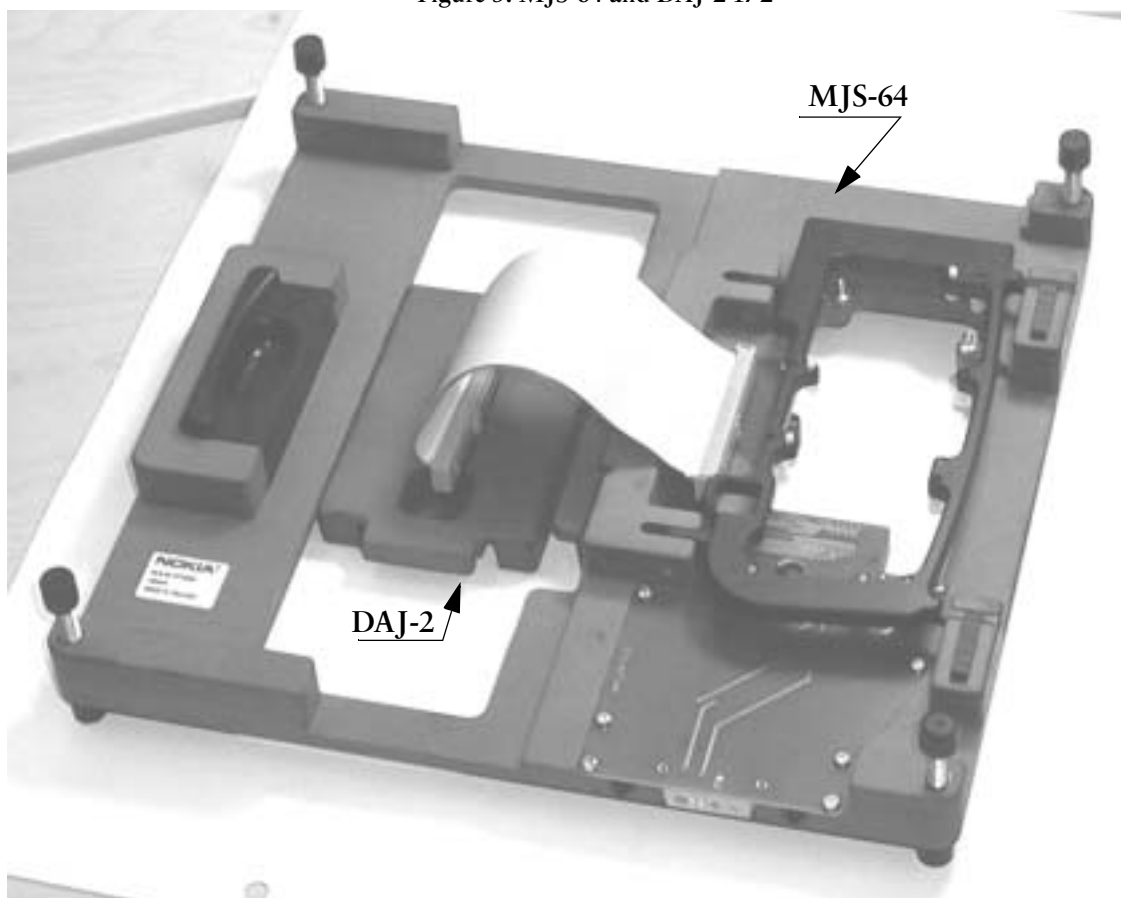
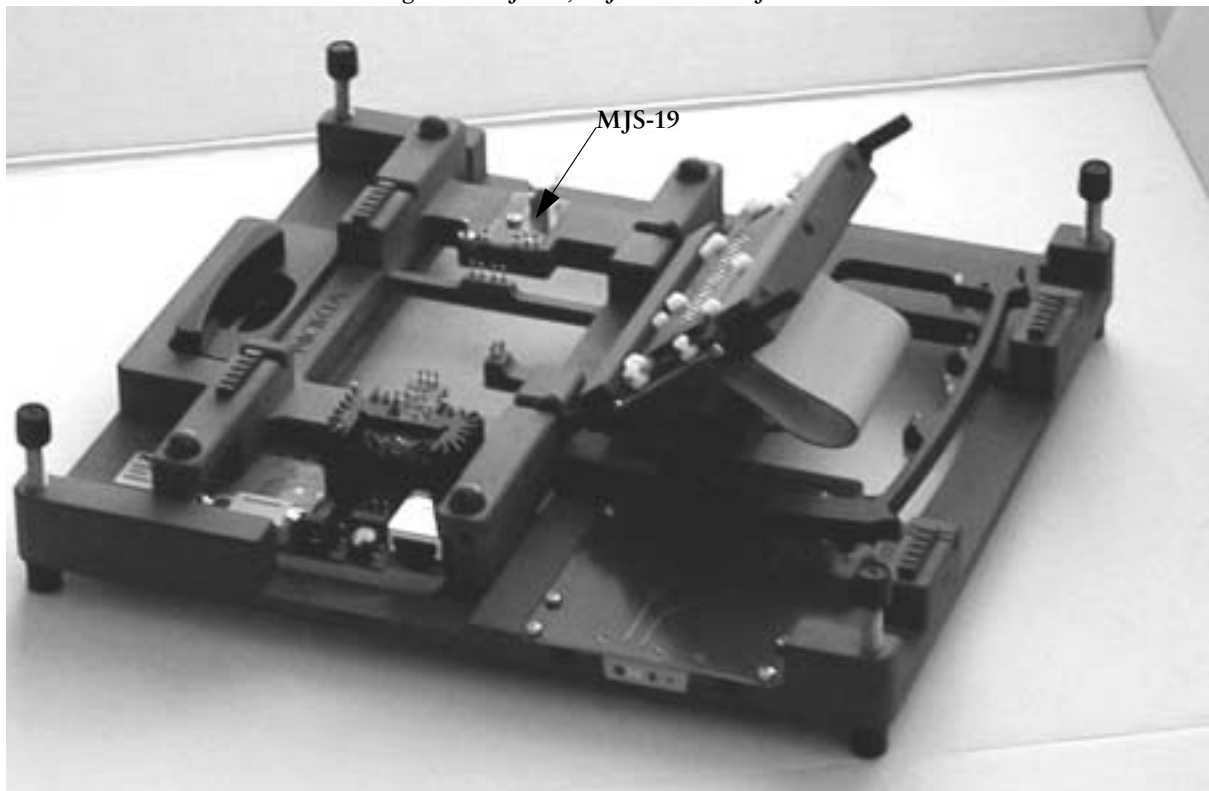


Figure 4: MJS-64, MJS-19 and DAJ-2 2/2



Soldering Jig MJS-66

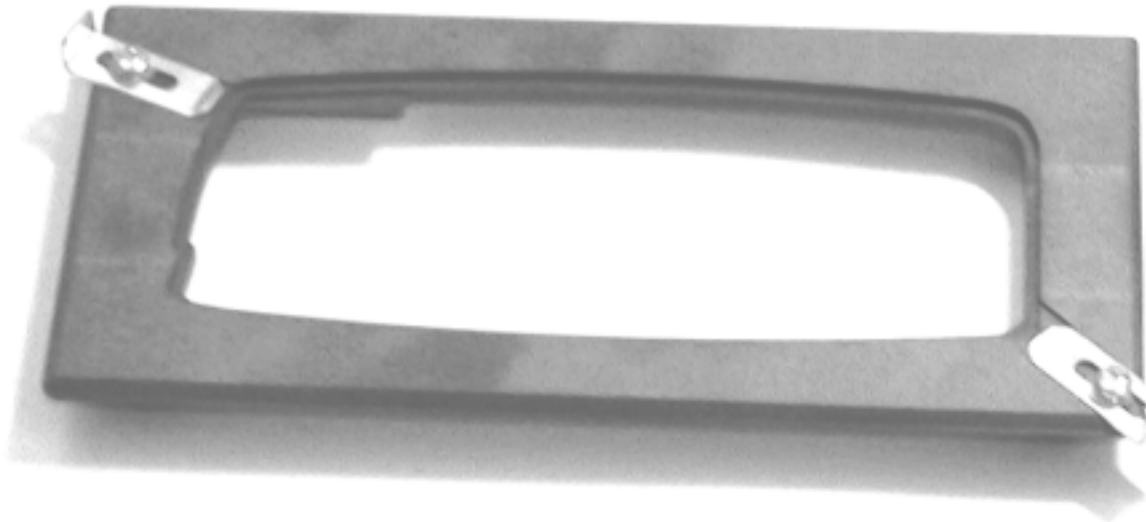
Soldering Jig MJS-66 is used for component level troubleshooting and repairs of the UI module.

Product Code:

Test Jig MJS-66:

0770268

Figure 5: MJS-66



Service Battery BBS-8

Service Battery BBS-8 is used to feed power in the phone during repair.

Product Code:

Service Battery BBS-8:

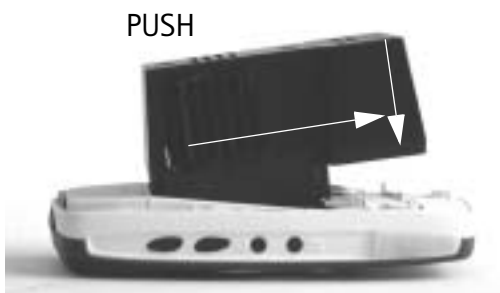
0630261

Figure 6: BBS-8

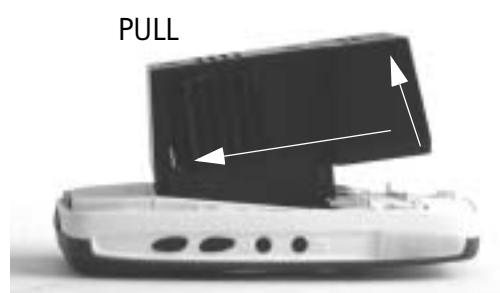


Figure 7: How to insert and remove BBS-8

Insert:



Remove:



POS Flash Adapter FLP-2

Point-of-Sale Flash adapter FLP-2 is used to reflash the phone.

Product Code:

POS Flash Adapter FLP-2: 0630262

Figure 8: FLP-2



RF Adapter GAC-3

RF Adapter GAC-3 is used for tuning and testing the RF parts of the CMT module.

Product Code:

RF Adapter GAC-3:

0770383

Figure 9: GAC-3, two views

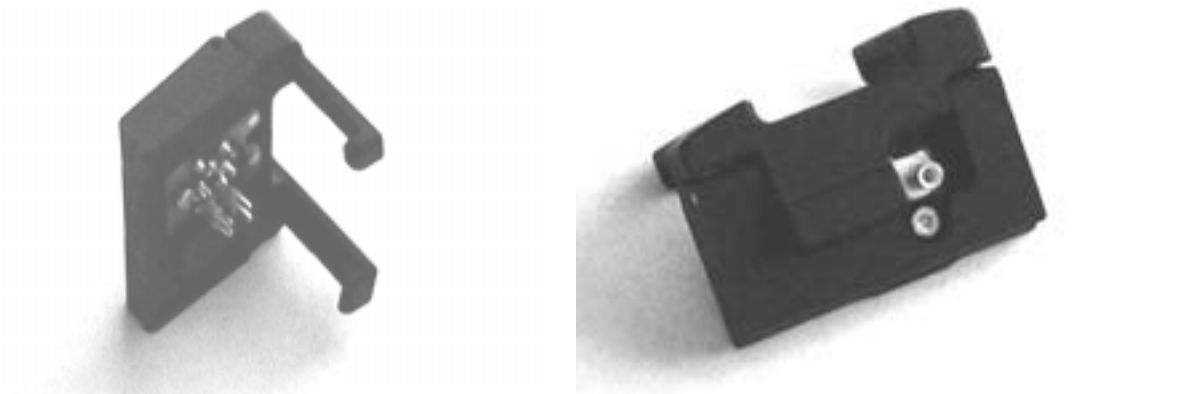


Figure 10: GAC-3 inserted



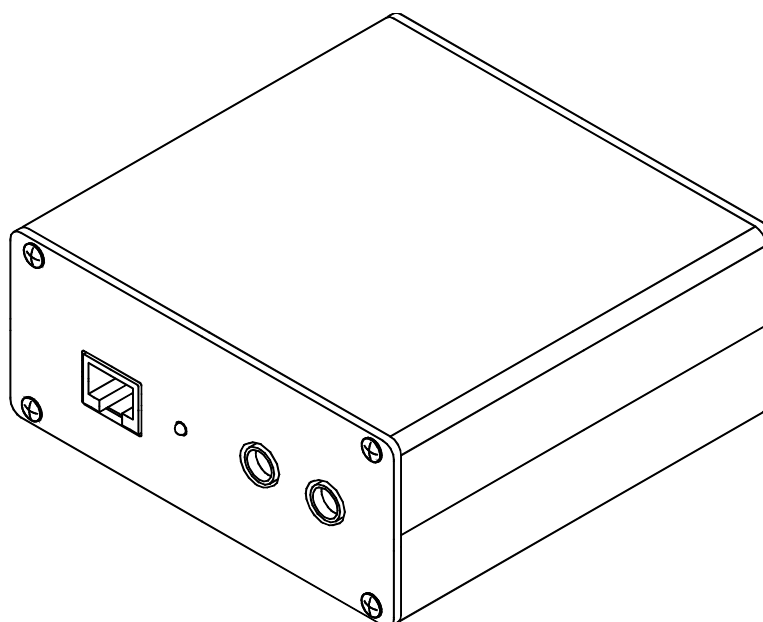
Flash Loading Adapter FLA-7 (Sales Pack)

The Flash Loading Adapter FLA-7 is used with the Service Battery BBD-3 and Service Cable SCH-5. Power is supplied to FLA-7 from the Flash Security Box TDF-4 via the DC cable PCC-1B, (The PCC-1B cable can be replaced with a Travel Charger ACH-6), and is connected to the Flash Prommer FPS-4S with the cable AXS-5.

Product Code

Flash Loading Adapter FLA-7: 0080326

Figure 11: FLA-7



The sales pack includes:

| Sales Package | Type Designation of parts | NMP Code |
|---------------|-----------------------------|----------|
| FLA-7 | | 0080326 |
| 1. | Flash Loading Adapter FLA-7 | 0770119 |
| 2. | Service Cable SCF-7 | 0730141 |
| 3. | Printer Cable AXS-5 | 0730091 |
| 4. | Service Cable XMS-3 | 0730174 |
| 5. | DC cable AXD-1 | 0730144 |
| 6. | SW diskette | 8400041 |

Flash Prommer FPS-4S (Sales Pack)

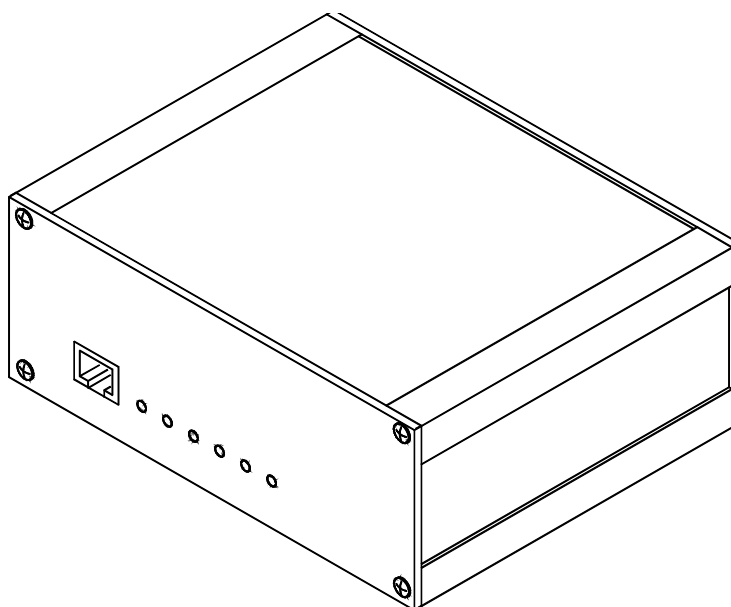
The Flash Prommer FPS-4S is used to update the main software of the phone. Updating is done by first loading the new MCU software from the PC to the flash prommer, and then loading the new SW from the prommer to the phone. When updating more than one phone in succession, the MCU software only needs to be loaded to the prommer once.

Product Code

Flash Prommer FPS-4S:

0085095

Figure 12: FPS-4S



The sales pack includes:

| Sales Package | Type Designation of parts | NMP Code |
|---------------|---------------------------|----------|
| FPS-4S | | 0085095 |
| | Flash Prommer FPS-4 | 0750090 |
| | Charger ACL-3E | 0680015 |
| | Printer Cable | 0730029 |
| | D9 - D9 Cable AXS-4 | 0730090 |
| | SW diskette | 8400041 |

Security Box TDF-4

The Security Box TDF-4 is required for updating MCU software, and infra red testing.

Note1:TDF-4 is delivered in de-activated mode. Fill in the enclosed Activation Request Form, and fax to NMP Salo to get the activation code

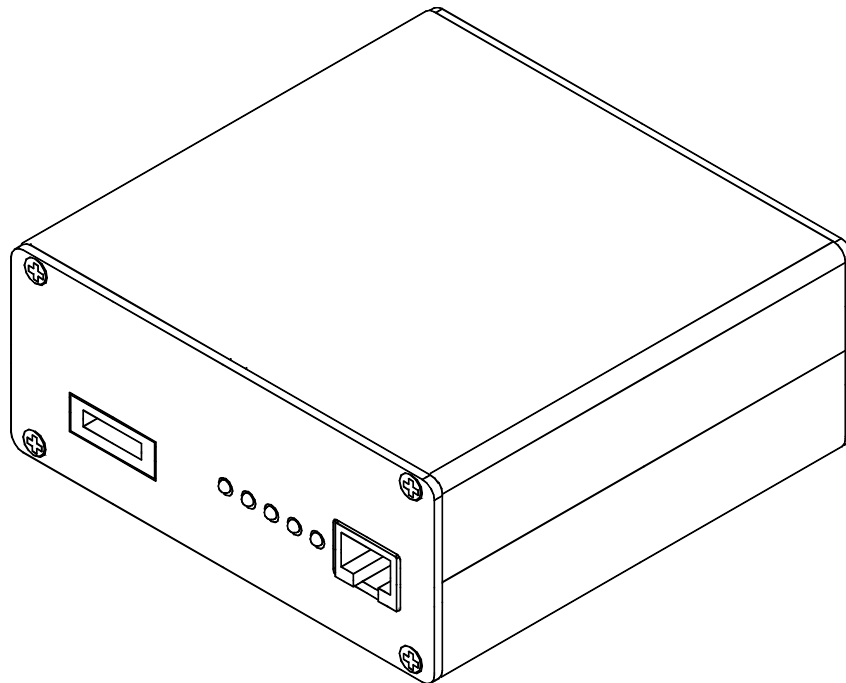
Note2:The infra red module JLP-1 is not included in the TDF-4 sales package

Product Code

Security Box TDF-4:

0770106

Figure 13: TDF-4



Service Audio Box JBA-4A

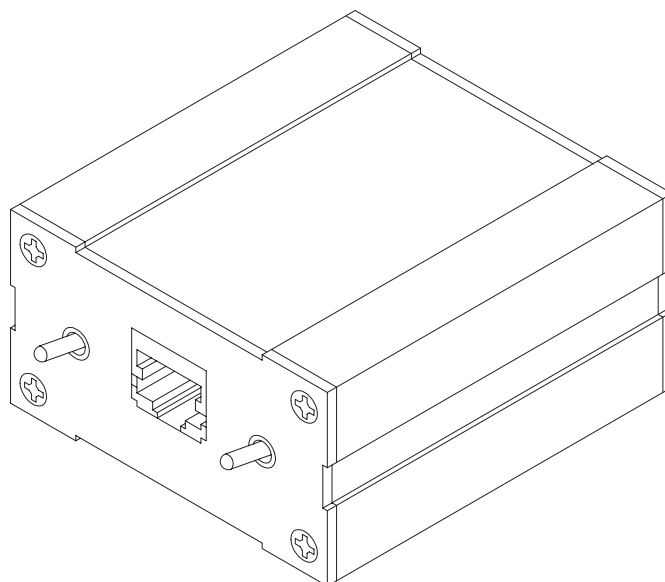
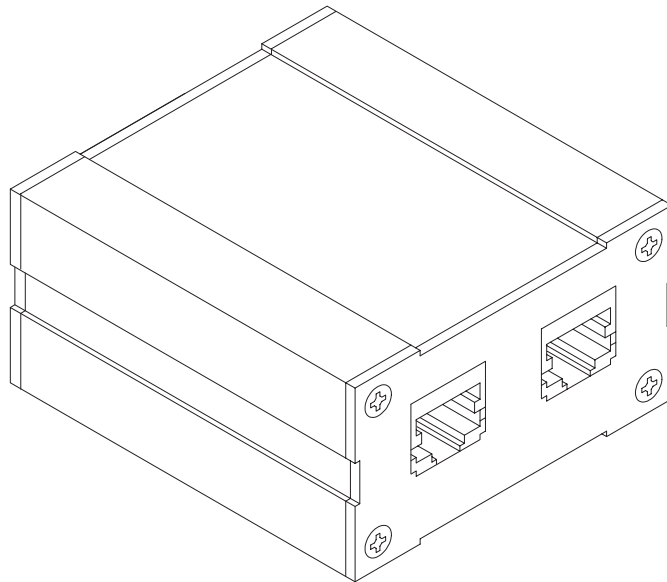
Service Audio Box JBA-4A is used with SCH-5, DAU-9S and ADS-1.

Product Code

Service Audio Box JBA-4A :

0770094

Figure 14: JBA-4A



Service Cable SCH-5

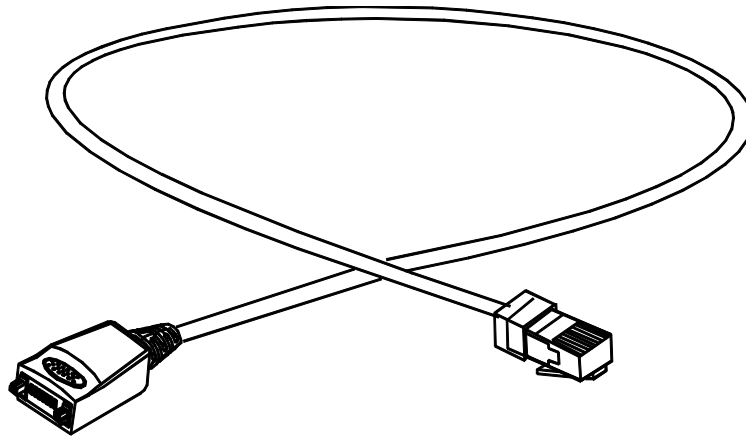
The Service Cable SCH-5 is used between the phone and Service Audio Box JBA-4 (or modular T-adapter. It is also used between the phone and the Flash Loading Adapter FLA-5.

Product Code

Service Cable SCH-5:

0730098

Figure 15: SCH-5



Service Cable XMS-3

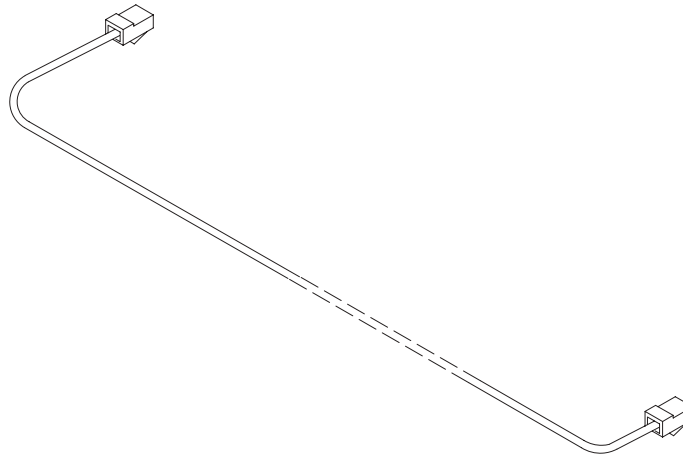
Service Cable XMS-3 is a modular cable for flashing and warranty transfer.

Product Code

Service Cable XMS-3:

0730174

Figure 16: XMS-3



Audio Cable ADS-1

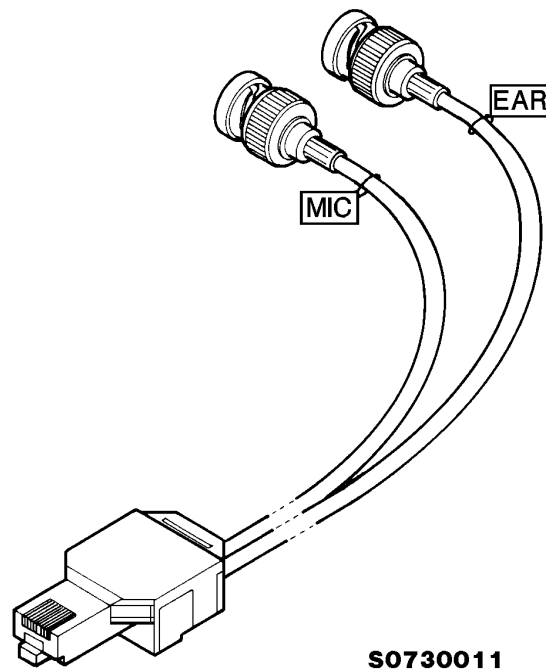
Audio cable is an adapter routing AF signals (MIC/EAR) from 8 pin modular connector to two BNC connectors. It is used to connect Modular T Connector, SCH-5, and DAU-9S.

Product Code

Audio cable ADS-1

0730011

Figure 17: ADS-1



D9-D9 Cable AXS-4

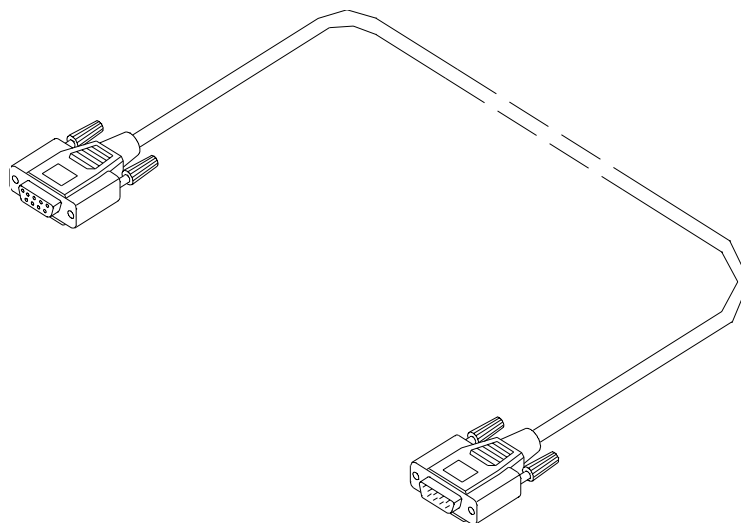
The D9-D9 cable AXS-4 is used to connect two 9 pin D connectors. e.g. PC to FPS-8

Product Code

D9 - D9 Cable AXS-4:

0730090

Figure 18: AXS-4



D15-D15 Cable AXS-5

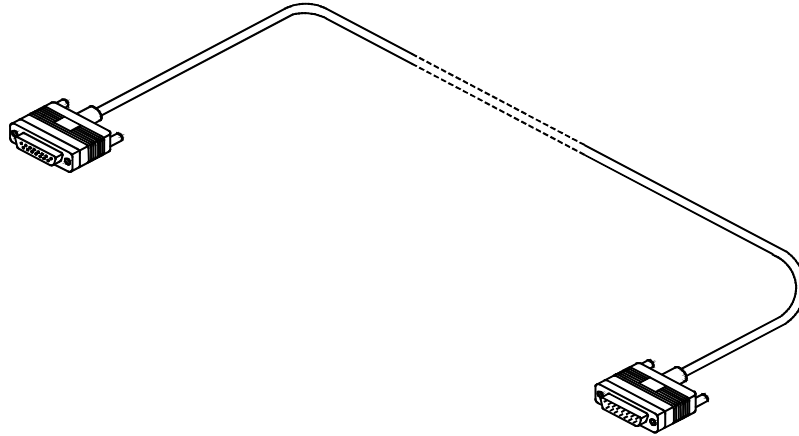
The D15-D15 Cable AXS-5 is used to connect two 15 pin D connectors. e.g. between FLA-5 and FPS-4S.

Product Code

D15-D15 Cable AXS-5:

0730091

Figure 19: AXS-5



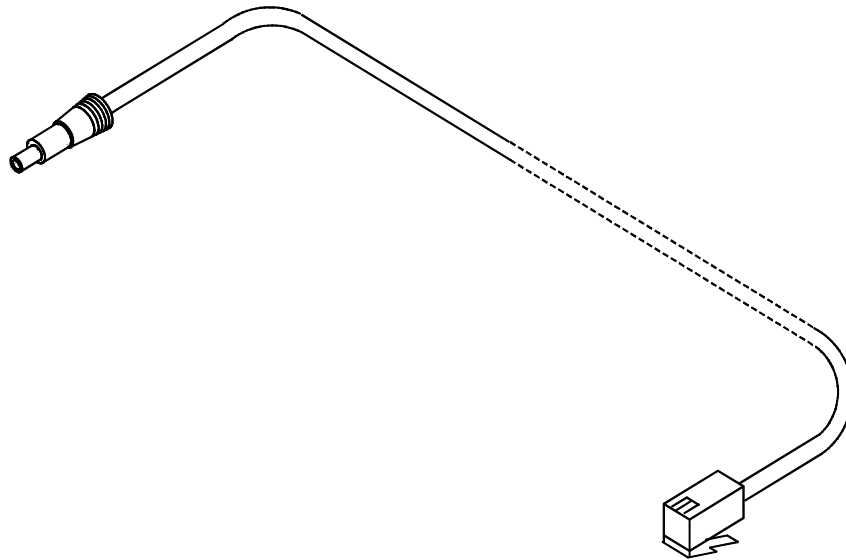
DC Cable PCC-1B

The DC Cable PCC-1B is used e.g. to connect FLA-5 and TDF-4.

Product Code

DC Cable PCC-1B: 0770053

Figure 20: PCC-1B



DC Cable SCB-3

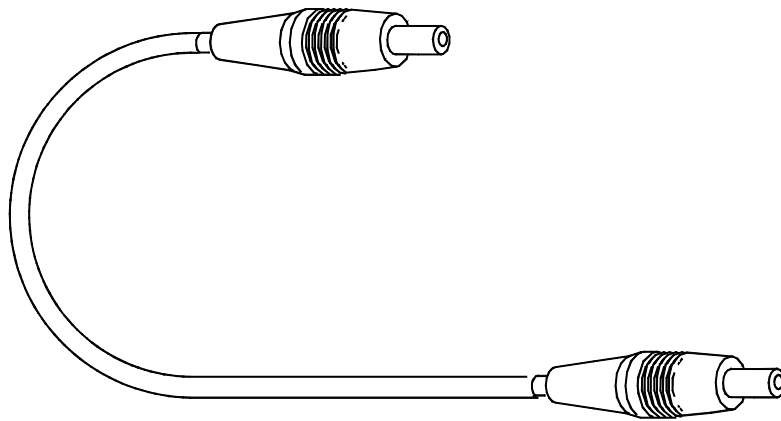
The DC Cable SCB-3 is used to connect the Service Battery to the charger connection Vin of the phone when doing the charger calibration service procedure.

Product Code

DC Cable SCB-3:

0730114

Figure 21: SCB-3



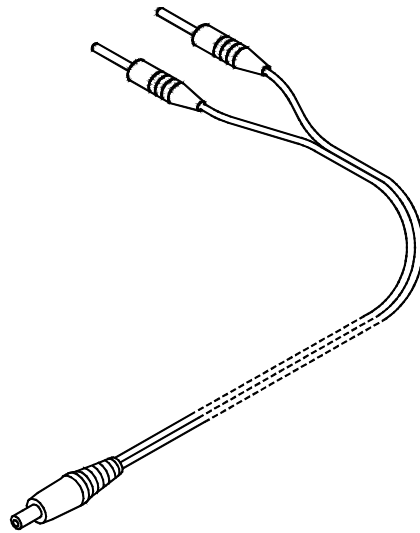
Power Cable PCS-1

The Power Cable PCS-1 is used to connect the module jigs JBT-1 and JBS-19 to an external power supply.

Product Code

Power Cable PCS-1: 0730012

Figure 22: PCS-1



POS Flash Adapter FLS-2D (Sales Pack)

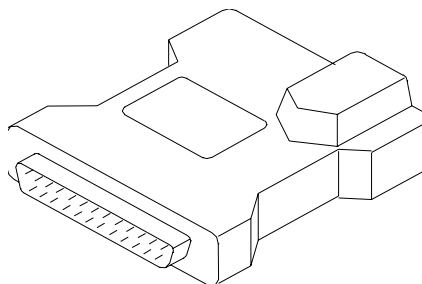
FLS-2D is a security device and flash device incorporated in one, developed specifically for POS use.

Sale package code

0081310 (APAC)

0081311 (EU/AFR)

Figure 23: FLS-2D



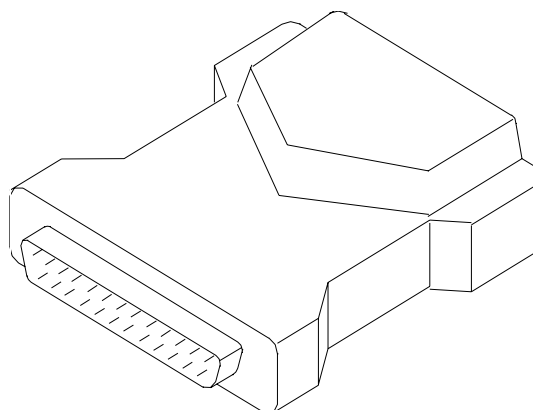
The sales packs include:

| Sales Package | Item | NMP Code |
|---------------|---------------------------------|----------|
| 0081310 | Fls-2d Flash Device (Apac) | 0774169 |
| | Fls-x Install Guide Ug | 0275405 |
| | Axs-4u Service Cable | 0730163 |
| | Swsa1 Dongle Drv32 3.5" Disk | 0770176 |
| | Swsa1 Dongle Drv16 3.5" Disk | 0770177 |
| | Swsa1 Fle-5 Drv16/32 3.5" Disk | 0774120 |
| | Swsa1 Fls1 Rem Upd 3.5" Dsk | 0774123 |
| | Blank Sticker | 9380113 |
| | Master Carton | 9651563 |
| | Fls-x Registration Request Form | 0275404 |

POS Flash Adapter FLS-4 (Sales Pack)

FLS-4 features a security device (PKD-1D) functions and flash device functions incorporated in one, developed specifically for POS use. It replaces the FLS-2D device.

Figure 24: FLS-4



Sale package code

FLS-4 0081481 (APAC) 0081483 (EU/AFR)

The sales packs include:

| 0081481 - Item | NMP Code |
|---|----------|
| FLS-X Registration Request Form | 0275404 |
| FLS-4 POS Flash Prommer) | 0774263 |
| FLS-4 Flash Device (programmed for APAC) | 0774266 |
| SW CD-ROM for FLS-4 | 0840961 |
| Flash POS User Guide | 9360406 |
| Carton | 9653650 |

| 0081483 - Item | NMP Code |
|--|----------|
| FLS-4 Flash Device (programmed for EU/AFR) | 0774267 |
| SW CD-ROM for FLS-4 | 0840061 |
| Flash POS User Guide | 9360406 |
| Carton | 9653650 |

XMS-3 Service Cable

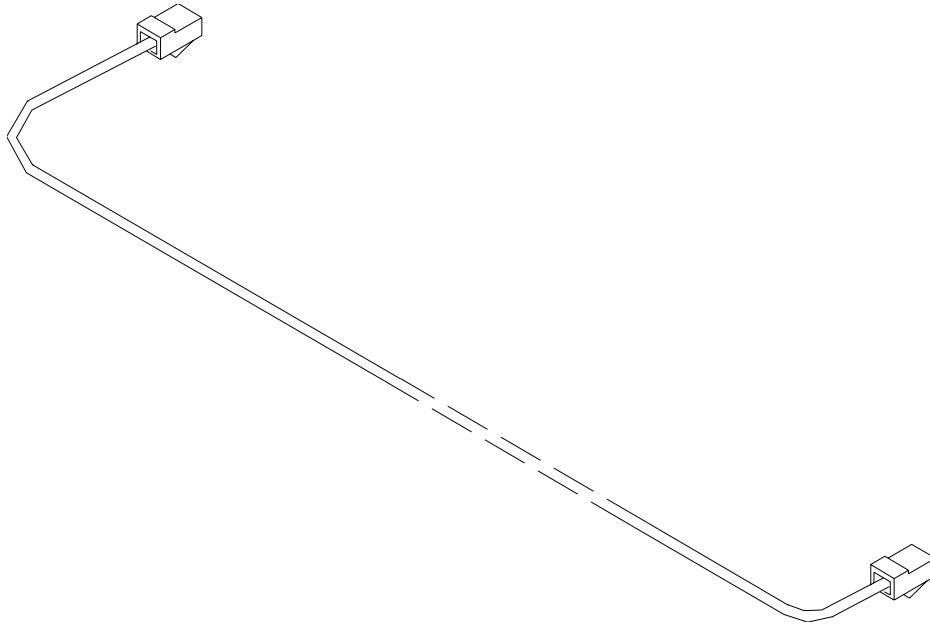
XMS-3 is a modular cable for flashing and warranty data transfer.

Product Code

XMS-3 Cable:

0730174

Figure 25: XMS-3



MBUS Cable DAU-9S

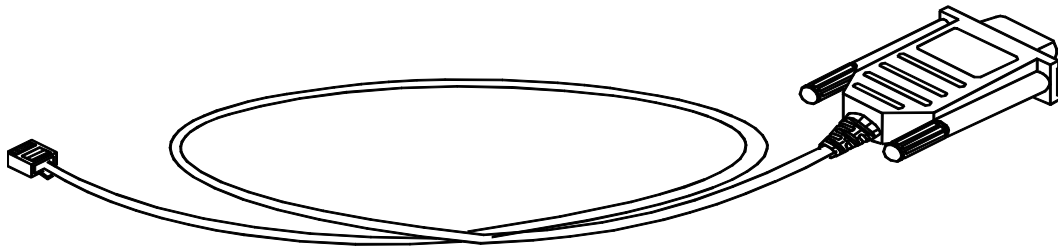
The MBUS Cable DAU-9S has a modular connector, and it can be connected with the service Audio Box JBA-4, or a modular T-adapter.

DAU-9S is used to read the data lines between the UI and the CMT , to read the UI information (version number, row lines) and also to read the self tests with the help of WinTesla.

Product Code

MBUS Cable DAU-9S: 0730108

Figure 26: DAU-9S



SW Security Device PKD-1

SW security device is a piece of hardware enabling the use of the service software when connected to the parallel (LPT) port of the PC. Without the dongle present it is not possible to use the service software. Printer or any such device can be connected to the PC through the dongle if needed.

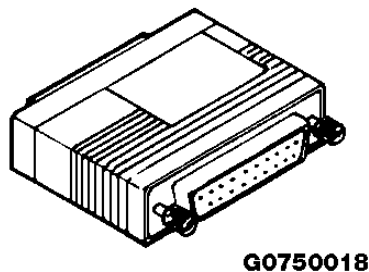
Caution: Make sure that you have switched off the PC and the printer before making connections!

Caution: Do not connect the PKD-1 to the serial port. You may damage your PKD-1!

Product Code

SW Security Device PKD-1: 0750018

Figure 27: PKD-1



Modular T-adapter

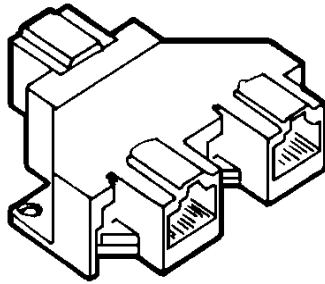
The modular T-adapter is a branching unit to provide the needed parallel modular connections.

Product Code

Modular T-adapter:

4626134

Figure 28: Modular T-adapter



[This page intentionally left blank]